

WARRANTY

Your Supreme Hand Dryer is fully guaranteed against defective materials and faulty workmanship for a period of 12 months from date of sale, subject to it being installed and maintained in accordance with the manufacturers instructions. SPL Limited warrants that should any part of the dryer fail within one year of installation that part will be replaced or repaired free of charge. Mileage and travelling time outside metropolitan areas by tradesperson or accredited service agents is payable by the customer. Alternatively, the Dryer may be returned to SPL Limited or its accredited service agents for repair under warranty when the cost of removal, re-installation and cartage will be payable by the customer. This warranty does not cover the damage resulting from non-operation of the hand dryer, the use of non- authorised parts, failure due to accident, misuse, abuse or failure to follow installation and maintenance instructions or consequential damage to any other goods, furnishings or property. This warranty does not displace any statutory warranty in relation to the dryer but any liability of SPL Limited under any statutory warranty will be limited to a replacement or repair of the dryer or payment of the cost of such replacement or repair at the option of SPL Limited.

Product Disclaimer

This appliance must only be used for the purpose which it was designed. All other uses must be considered to be potentially dangerous. Supreme Products Ltd accepts no responsibility for any damage or injury to property or persons caused by improper, incorrect or unreasonable use.

For all warranty enquiries on this product contact:

SPL

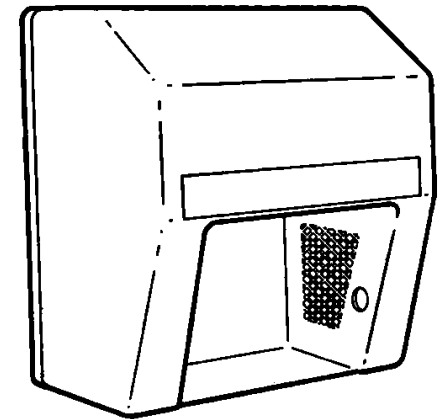
SPL Limited
PO Box 437, Cambridge 3450
New Zealand

Phone +64 7 823 5790
Fax +62 7 823 5792
Email: office@splwashrooms.co.nz
www.splwashrooms.co.nz

The logo for Supreme hand dryers features a stylized blue wave icon to the left of the word "supreme" in a bold, lowercase, sans-serif font. Below "supreme" is the phrase "hand dryers" in a smaller, lowercase, sans-serif font.

Supreme Automatic Warm Air Hand Dryer

MODEL BA101-E3 Installation Guide



Congratulations on choosing Supreme!

**Warm Air Hand Dryer for your
Washroom Requirements**

For best results simply follow these easy
instructions.

NZ Phone +64 7 823 5790

Planning

We suggest that one Hand Dryer be installed for every two hand basins.

The BA101 hand dryer IS suitable for mounting over bench tops or reflective surfaces.

When positioning dryers take note of traffic flows in the washroom, also be aware of obstructing doors, cabinets etc.

Electrical Connection

Remove and discard test wires from terminal block before installation. Installation must be carried out by a qualified person in accordance with all local wiring regulations. Fixed wiring is recommended for all installations. Wiring should emerge from the wall in the position marked on the mounting diagram. All fixed wiring should incorporate a switch or breaker with a contact separation of at least 3mm in all poles. Should a supply cord be required use a cable clamp part # BA404.

Safety Precautions & Standards Compliance

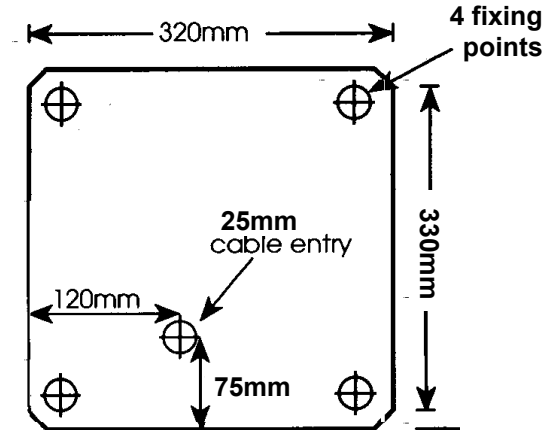
Supreme Hand Dryers have been tested and comply with all relevant Australian and New Zealand standards for electrical safety and electromagnetic interference.

CAUTION

- The dryer is not intended for use by young children or infirm persons without supervision.
- Young children should be supervised to ensure that they do not play with the appliance.
- Do not insert objects into the air outlet, doing so can be hazardous and could result in electric shock.
- Do not obstruct the air inlets or outlets in any way.
- Do service your Hand Dryer at regular intervals.

Installation Instructions

Remove the hand dryer cover by undoing the 2 x 6mm screws on the underside of the cover. Lift the lower part of the cover up approximately 12mm, then push cover upwards to unlatch the top of the cover from the back plate. Position the back plate on wall as per the mounting diagram below.



Height recommendations

Recommended height to bottom of dryer.

Men's washroom		1100mm
Ladies' washroom		1050mm
Children's washroom	13-17yrs	1000mm
Children's washroom	10-13yrs	950mm
Children's washroom	7-10yrs	900mm
Children's washroom	4-7yrs	800mm
Disabled Person's		950mm



Fasten the dryer to the wall using suitable fixings for the type of wall. To replace the cover firstly plug the sensor leads into the receptacle on the circuit board then latch the top of the cover over the base plate and ease the bottom of the cover into place. Replace the two 6mm stainless screws.

NOTE:

The sensor leads must be plugged into PCB before machine will start.



Maintenance Instructions

Very little maintenance is required to keep your hand dryer in first class operating order. However, the following maintenance should be carried out six monthly in high traffic areas and twelve monthly in normal traffic areas:

1. Disconnect power supply and remove cover and sensor plug.
2. Carefully clean lint from inside of dryer paying particular attention to fan blades
3. Unplug LED and receiver from lenses and wash cover in warm soapy water paying particular attention to lenses—dry thoroughly.

Your guarantee could become void if the above is not performed at the specific intervals.

NOTE: If the power cord of this appliance is damaged, it must only be replaced by a repair shop appointed by the manufacturer, or a suitably qualified person in order to avoid a hazard.

Service Hints

All service work should be carried out by a qualified trades person. Turn off power supply before removing the cover. In event of your hand dryer failing to start, firstly check that the power is available at Printed Circuit Board, and sensor leads are plugged in. The motor brushes should be checked periodically and should be replaced if less than 10mm long. In the event of the hand dryer operating but not heating, switch off the power, remove the cover and replace the element by removing the right hand fan housing. If the dryer starts in its own, replace the complete sensor lead with LED and Receiver.